

1. Introduction

The ZAS is a system that is used to receive an alarm signal, for example a Bed alarm, Tele-call or Agitation detector, on a pager. This system is frequently used in the care sector. For example at locations that lack an (existing) nurse call system, such as semi-dependent units or surrogate family units.

1.1 Components

The ZAS consists of the following components (see illustration 1):

1. **ZAS**, the unit that receives the alarm signal and relays it to the pager.
2. **Pager**, this is an easy to use receiver that detects the alarm signal.

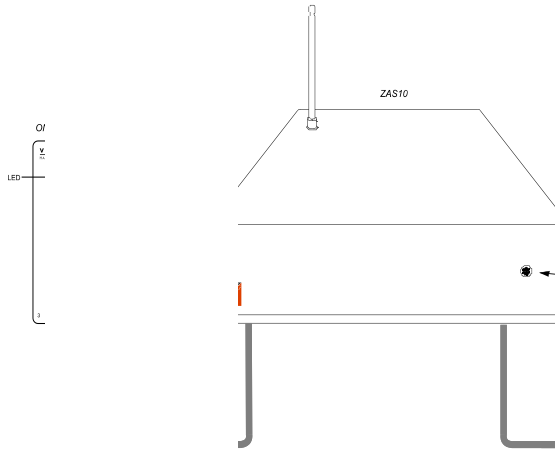


Illustration 1: components ZAS

ZAS

The ZAS receives alarm signals from, for example, a bed alarm and the pager is activated as soon as an alarm signal is received. Standard accessories of the ZAS include a 220 Volt adapter and an indoor-antenna.

Pager(s)

This is a device that is to be worn by, for example, the departmental head, so that alarm signals can be detected.

- equipped with a clip for attaching the pager to trouser pocket or jacket pocket;
- power supply 3 Volt direct voltage, 2 AAA batteries that are easy to replace;
- "battery empty" indicator;
- 60-second interval reminder;
- dimensions, 84x54x20 mm;
- weight approx. 85 grams;
- reception range of approx. 250 metres, depending upon the direction, range can be increased using outdoor antenna if desired

2. Installation

2.1 ZAS

The ZAS is connected as follows:
You are to connect a 6.3 mm mono jack plug to the connector at the bottom side of the unit using a potential-free **make** contact of, for example, the tele-call. **Make** contact is brown + white wire.

Position the ZAS in a permanent spot near the desired alarm system. Connect/plug the mono jack plug and plug the 230V AC into the wall socket.

The ZAS is now able to relay the alarm to the pager.
The ZAS will continue to relay the alarm for 30 seconds!

2.2 Pager

Push the slide switch at the top of the pager to the ON position. The pager will sound briefly and the number '8' will briefly appear on the display. The pager is now ready for use.

Once you have connected both components as described above, you can test the system by generating an alarm in the alarm input.

The pager must be reset after an alarm has been generated. To do so, press the small black button on the top of the pager. Note: the ZAS continues to relay the alarm for 30 seconds, and so you cannot reset the pager until after 30 seconds.

When the battery is almost empty, the Pager will beep twice shortly, every 5 minutes.

GUARANTEE

Vahlkamp observes a term of guarantee of 12 months if the product is used normally. Repairs are free of charge during this period.

The guarantee does not apply to defects that are the result of improper use, breakage, a fall, dismantling, fire and/or water damage, neglect or incompetent repairs. Batteries are not covered by the guarantee.

Should the occasion arise, then the buyer is to contact Vahlkamp, which will then see to the repairs.